

Libra

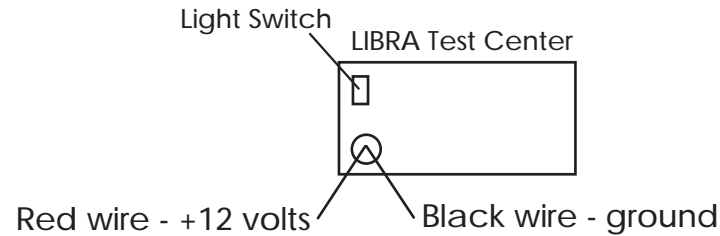
Welcome to the online version of your LIBRA Manual.
We hope that you find this helpful and informative.

Visit us on the Internet at:

www.DOSY.com

712P and 714P Units ONLY

The 712P and the 714P units are equipped with a power lead for the meter lights. In order to power the lights, the red wire must be hooked up to +12 volts. The black wire must be hooked to a ground. The switch located on the rear of the unit will turn the lights on and off once power has been hooked up.



Q. P. Inc.
"DOSY METERS"
530 E. Lexington Ave. #155
Elkhart, IN 46516
(574) 295-6884
www.DOSY.com

Libra 712/714



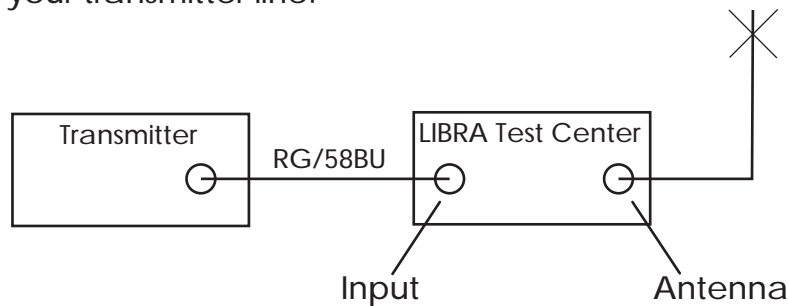
Test Center Instruction Manual



Figure 1

Installation Instructions

The test center can be installed at any point in your transmitter line.



Operating Instructions

Watts

The Libra 712/714 Test Center will indicate the power output (in watts) of your equipment at the point in the transmission line where you have installed the test center. To measure any power from 1 to 2000 watts (4000 watts on 714), just set the Mode Selector Switch (#1 FIG. 1) to the power setting. Set the power range selector switch (#2 FIG. 1) to the appropriate range - 20, 200, 2000 (or 4000 on 714) watts. Key the transmitter and read the wattage on the corresponding scale.

NOTE: If power output is uncertain, use the highest range and work down until the range is appropriate to prevent possible damage to the meter movement.

SWR Set

1. Turn Mode Selector switch (#1 Fig. 1) to the FWD SET position
2. Turn RF Level Control (#3 Fig. 1) to MIN
3. Key Transmitter and turn RF Level Control (#3 Fig. 1) to give a full scale meter reading to SWR SET on meter scale.
4. With Transmitter keyed, switch Mode Selector Switch (#1 Fig.1) to REF position and read SWR ratio directly on SWR Scale.

NOTE: The SWR Functions need to be performed on each wattage range to prevent possible damage to the meter movements.

A.M. Modulation Check

1. Turn Mode Selector Switch (#1 Fig. 1) to MOD SET position
2. Turn MOD RF Level Control (#4 Fig. 1) to MIN
3. Key Transmitter and turn MOD RF Level Control (#4 Fig. 1) to read full scale to MOD SET on meter scale
4. With transmitter keyed, switch Mode Selector Switch (#1 Fig. 1) to MOD position and talk or steadily whistle into microphone. Read modulation percentage on AM MOD scale
5. **DO NOT CHECK MODULATION WITH HIGH POWER**

NOTE: A.M. modulation check functions must be performed on each wattage range, to prevent possible damage to the meter movements.

General Notation

On Grounded Grid amplifiers, we do not recommend checking modulation at higher powers. Grounded Grid amplifiers will not be able to output 100% modulation in the A.M. mode, however, the feed through power prevents the grounded grid from being fully modulated. This is the reason A.M. modulation should be checked at the transmitter, or with the Linear Amplifier in standby position.

712 Meter Scale Reading

Up to 20 Watts..... 20 Scale
 Up to 200 Watts 20 Scale X 10
 Up to 2000 Watts 20 Scale X 100

714 Meter Scale Reading

Up to 20 Watts..... 20 Scale
 Up to 200 Watts 20 Scale X 10
 Up to 2000 Watts 20 Scale X 100
 Up to 4000 Watts 4000 Scale